

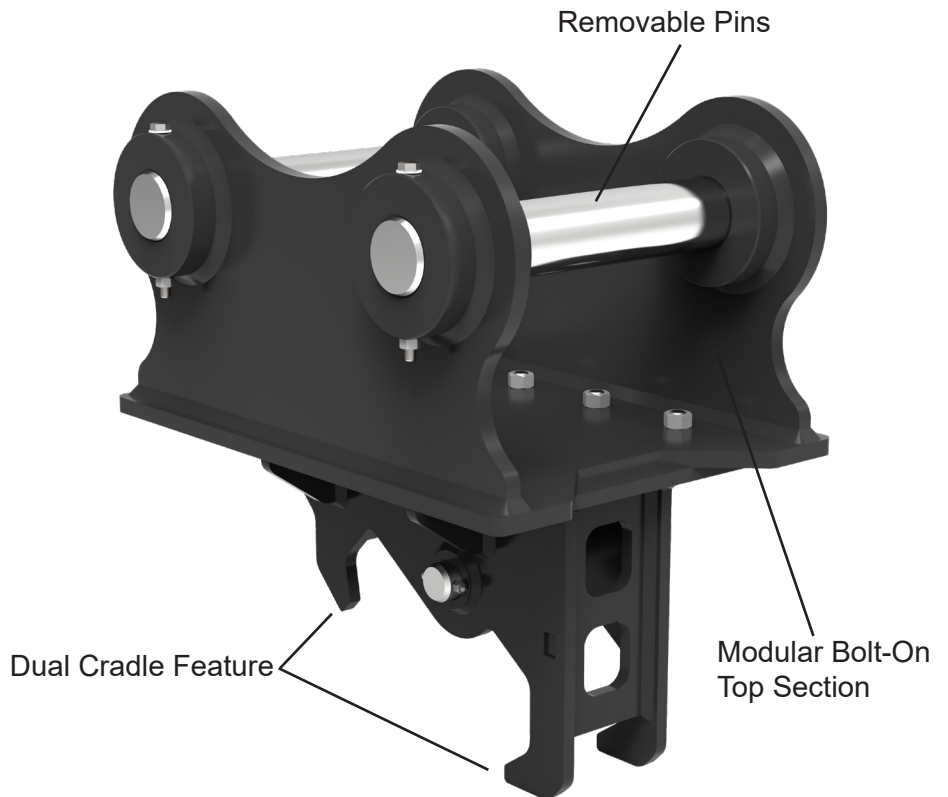
The Saber Mount is designed to take the demanding torsional loads of helical pile installation. All Saber mounts provide full articulation allowing for accurate pile placement and installation. The integrated dual cradle feature provides user-friendly and productive Anchor Drive operation.



The modular design of the Saber Mount makes it adaptable to a wide range of prime movers. Ideal for users that rent or have multiple machines in their fleet.



## SABER SERIES EXCAVATOR MOUNTING BRACKET



### FEATURES

- The removable top section allows the Saber Series to be used on a wide range of prime movers.
- Available to support up to 80,000 ft-lbs of installation torque.
- The pin-on link arm allows for full Anchor Drive articulation.
- The dual cradle feature can position the Anchor Drive in ideal positions to improve pile connections and stops the Drive from swinging during transport.
- The geometry of the dual cradle allows the Drive to be positioned parallel with the ground making pile connections safe and easy.

## 45MM SABER MOUNT



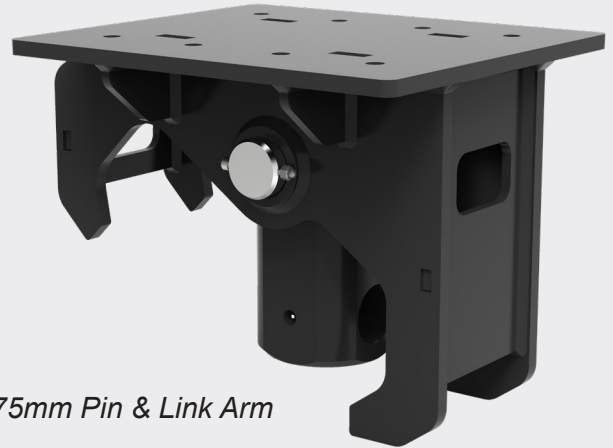
45mm Pin & Link Arm

### Compatible Anchor Drive Models:

SA5, SA6, SA7, SA8, SA12, SA16, SA20,  
TA16, TA20

**Torque Capacity:** 20,000 ft-lbs (27,116 Nm)

## 75MM SABER MOUNT



75mm Pin & Link Arm

### Compatible Anchor Drive Models:

SA30, TA40, TA60, TA80

**Torque Capacity:** 80,000 ft-lbs (108,465 Nm)

The Saber Series is available in two sizes to accommodate different Anchor Drive models and torque capacities.

## ULTIMATE ADAPTABILITY

Designed to fit any type of backhoe or excavator linkage and quick couplers.



### PILE CONNECTIONS MADE EASY

The Saber Mount gives the operator complete control of the job site and the pile connection.

Position the Anchor Drive in any position to make quick work of pile connections.



The Anchor Drive can be positioned with the shaft pointed away or towards the operator using the front or rear cradle features.

